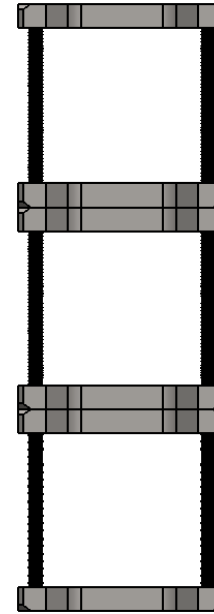
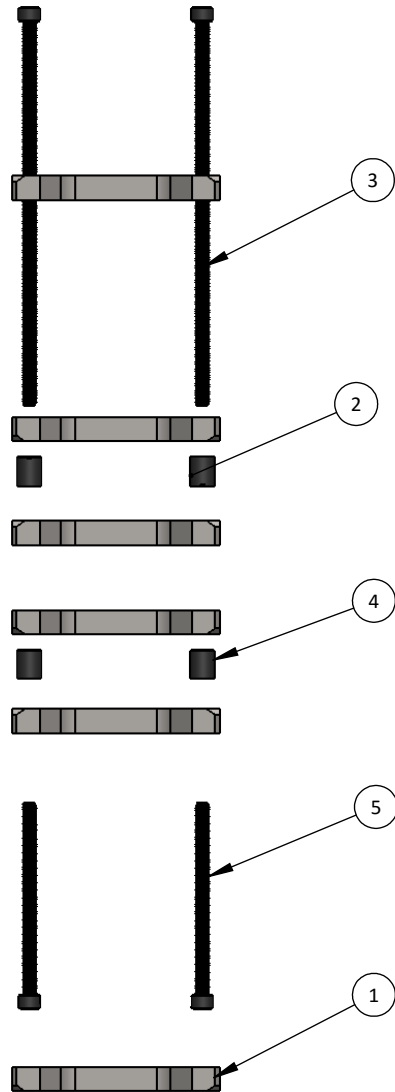




# HARCOURT STANDARD DESIGN



QUANTITY	DESCRIPTION	
6	Plate	①
4	Sleeve nut	②
4	Socket-Head Cap Screws -Long	③
4	Double nut	④
4	Socket-Head Cap Screws	⑤



**PROPRIETARY AND CONFIDENTIAL**

The entire content of this print is the sole property of Harcourt Industrial, Inc (Harcourt). You may not possess, use, copy or disclose this print or any information in it, for any purpose, including without limitation to design, manufacture, or repair parts, or obtain FAA or other government approval to do so, without Harcourt's express written permission. Neither receipt nor possession of this document alone, from any source, constitutes such permission. Possession, use, copying or disclosure by anyone without Harcourt's express written permission is not authorized and may result in criminal and/or civil liability.

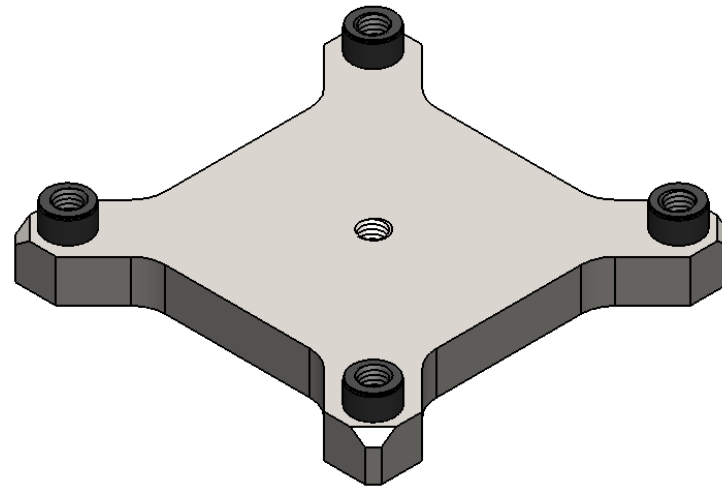
**LEAD TIMES** Products in this print, as the name implies, are custom designs and not inventory items. Lead times apply to all products in this print. To view Harcourt's standard off-the-shelf items please visit our website – [www.harcourt.co](http://www.harcourt.co)

<b>Title:</b>	<b>TRIPLE-BOX HBOX</b>
<b>Item Number:</b>	<b>HBOX-TB</b>
<b>Material:</b>	
<b>Finish:</b>	



**Step 1:**

Install the (4) Double Nuts into a Plate.



**PROPRIETARY AND CONFIDENTIAL**

The entire content of this print is the sole property of Harcourt Industrial, Inc (Harcourt). You may not possess, use, copy or disclose this print or any information in it, for any purpose, including without limitation to design, manufacture, or repair parts, or obtain FAA or other government approval to do so, without Harcourt's express written permission. Neither receipt nor possession of this document alone, from any source, constitutes such permission. Possession, use, copying or disclosure by anyone without Harcourt's express written permission is not authorized and may result in criminal and/or civil liability.

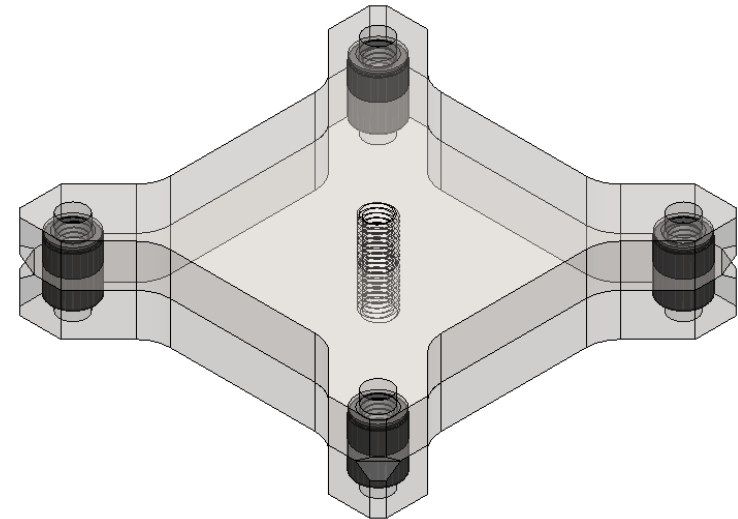
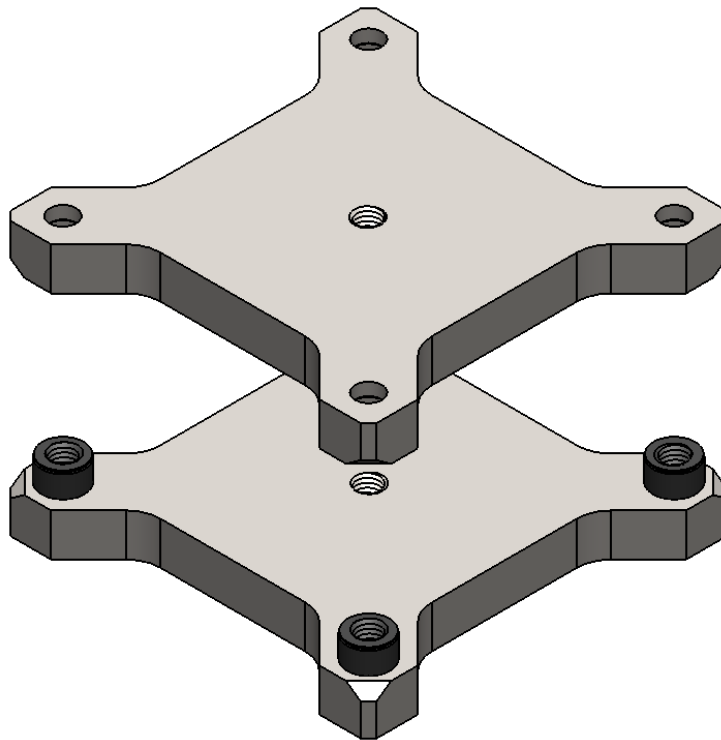
**LEAD TIMES** Products in this print, as the name implies, are custom designs and not inventory items. Lead times apply to all products in this print. To view Harcourt's standard off-the-shelf items please visit our website – [www.harcourt.co](http://www.harcourt.co)

<b>Title:</b>	<b>TRIPLE-BOX HBOX</b>
<b>Item Number:</b>	<b>HBOX-TB</b>
<b>Material:</b>	
<b>Finish:</b>	



**Step 2:**

Place the next plate over the Double Nuts as shown and press them together to create a Double Nut Plate sandwich.



**PROPRIETARY AND CONFIDENTIAL**

The entire content of this print is the sole property of Harcourt Industrial, Inc (Harcourt). You may not possess, use, copy or disclose this print or any information in it, for any purpose, including without limitation to design, manufacture, or repair parts, or obtain FAA or other government approval to do so, without Harcourt's express written permission. Neither receipt nor possession of this document alone, from any source, constitutes such permission. Possession, use, copying or disclosure by anyone without Harcourt's express written permission is not authorized and may result in criminal and/or civil liability.

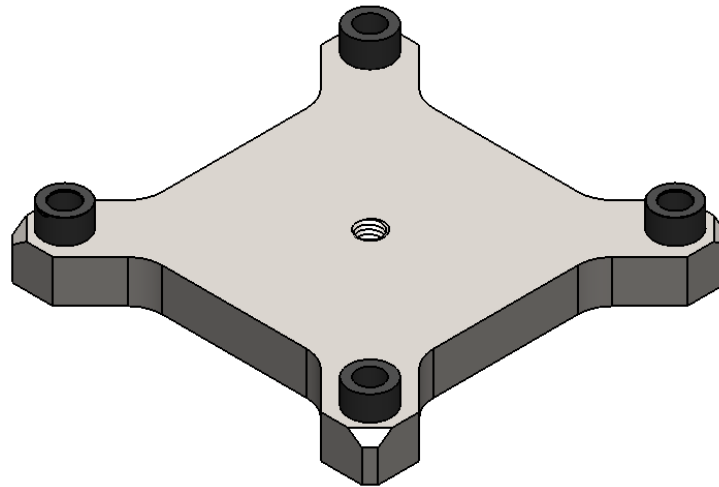
**LEAD TIMES** Products in this print, as the name implies, are custom designs and not inventory items. Lead times apply to all products in this print. To view Harcourt's standard off-the-shelf items please visit our website – [www.harcourt.co](http://www.harcourt.co)

<b>Title:</b>	<b>TRIPLE-BOX HBOX</b>
<b>Item Number:</b>	<b>HBOX-TB</b>
<b>Material:</b>	
<b>Finish:</b>	



**Step 3:**

Install the (4) Sleeve Nuts into a Plate.



**PROPRIETARY AND CONFIDENTIAL**

The entire content of this print is the sole property of Harcourt Industrial, Inc (Harcourt). You may not possess, use, copy or disclose this print or any information in it, for any purpose, including without limitation to design, manufacture, or repair parts, or obtain FAA or other government approval to do so, without Harcourt's express written permission. Neither receipt nor possession of this document alone, from any source, constitutes such permission. Possession, use, copying or disclosure by anyone without Harcourt's express written permission is not authorized and may result in criminal and/or civil liability.

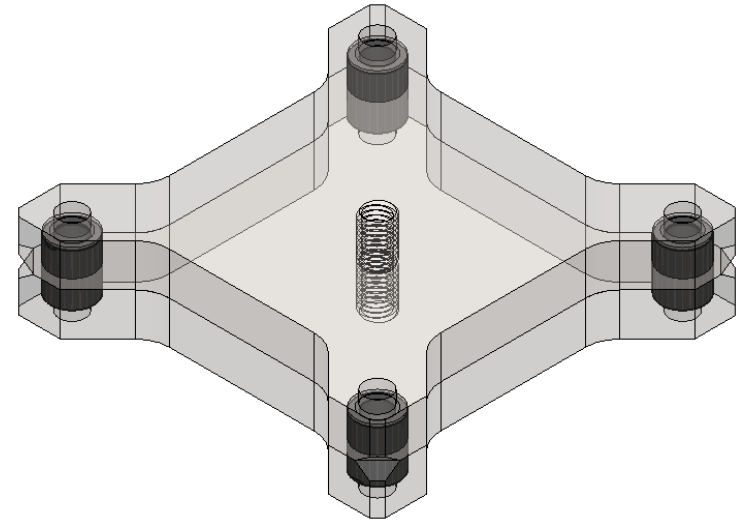
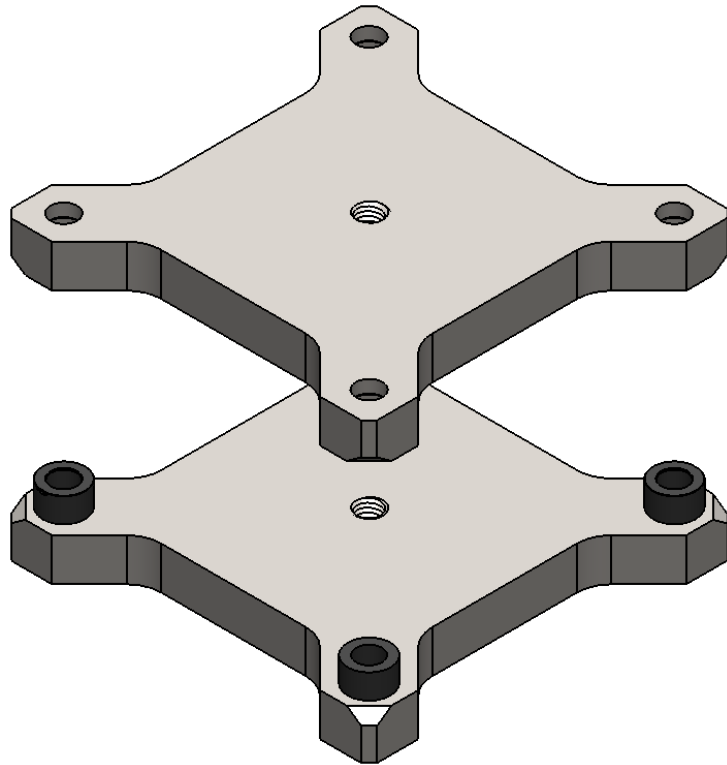
**LEAD TIMES** Products in this print, as the name implies, are custom designs and not inventory items. Lead times apply to all products in this print. To view Harcourt's standard off-the-shelf items please visit our website – [www.harcourt.co](http://www.harcourt.co)

<b>Title:</b>	<b>TRIPLE-BOX HBOX</b>
<b>Item Number:</b>	<b>HBOX-TB</b>
<b>Material:</b>	
<b>Finish:</b>	



**Step 4:**

Place the next plate over the Sleeve Nuts as shown and press them together to create a Sleeve Nut Plate sandwich.



**PROPRIETARY AND CONFIDENTIAL**

The entire content of this print is the sole property of Harcourt Industrial, Inc (Harcourt). You may not possess, use, copy or disclose this print or any information in it, for any purpose, including without limitation to design, manufacture, or repair parts, or obtain FAA or other government approval to do so, without Harcourt's express written permission. Neither receipt nor possession of this document alone, from any source, constitutes such permission. Possession, use, copying or disclosure by anyone without Harcourt's express written permission is not authorized and may result in criminal and/or civil liability.

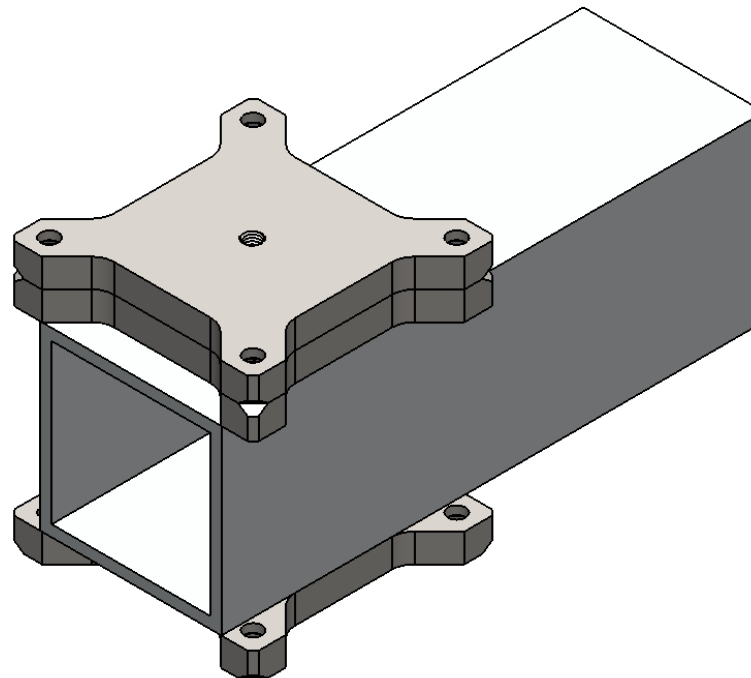
**LEAD TIMES** Products in this print, as the name implies, are custom designs and not inventory items. Lead times apply to all products in this print. To view Harcourt's standard off-the-shelf items please visit our website – [www.harcourt.co](http://www.harcourt.co)

<b>Title:</b>	<b>TRIPLE-BOX HBOX</b>
<b>Item Number:</b>	<b>HBOX-TB</b>
<b>Material:</b>	
<b>Finish:</b>	



**Step 5:**

Position the Double Nut Plate sandwich onto a beam then another plate adjacent as shown.



**PROPRIETARY AND CONFIDENTIAL**

The entire content of this print is the sole property of Harcourt Industrial, Inc (Harcourt). You may not possess, use, copy or disclose this print or any information in it, for any purpose, including without limitation to design, manufacture, or repair parts, or obtain FAA or other government approval to do so, without Harcourt's express written permission. Neither receipt nor possession of this document alone, from any source, constitutes such permission. Possession, use, copying or disclosure by anyone without Harcourt's express written permission is not authorized and may result in criminal and/or civil liability.

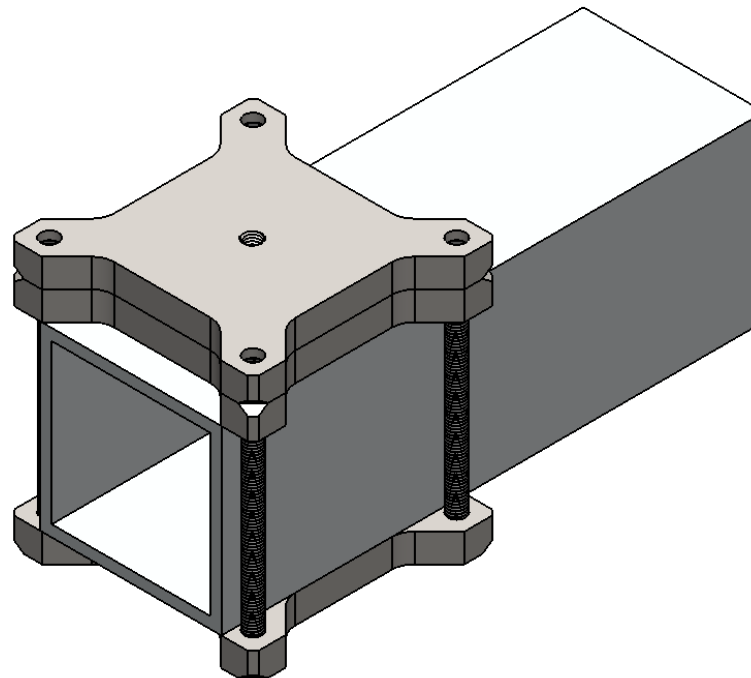
**LEAD TIMES** Products in this print, as the name implies, are custom designs and not inventory items. Lead times apply to all products in this print. To view Harcourt's standard off-the-shelf items please visit our website – [www.harcourt.co](http://www.harcourt.co)

<b>Title:</b>	<b>TRIPLE-BOX HBOX</b>
<b>Item Number:</b>	<b>HBOX-TB</b>
<b>Material:</b>	
<b>Finish:</b>	



**Step 6:**

Install the (4) shorter Socket-Head Cap Screws as shown and loosely tighten.



**PROPRIETARY AND CONFIDENTIAL**

The entire content of this print is the sole property of Harcourt Industrial, Inc (Harcourt). You may not possess, use, copy or disclose this print or any information in it, for any purpose, including without limitation to design, manufacture, or repair parts, or obtain FAA or other government approval to do so, without Harcourt's express written permission. Neither receipt nor possession of this document alone, from any source, constitutes such permission. Possession, use, copying or disclosure by anyone without Harcourt's express written permission is not authorized and may result in criminal and/or civil liability.

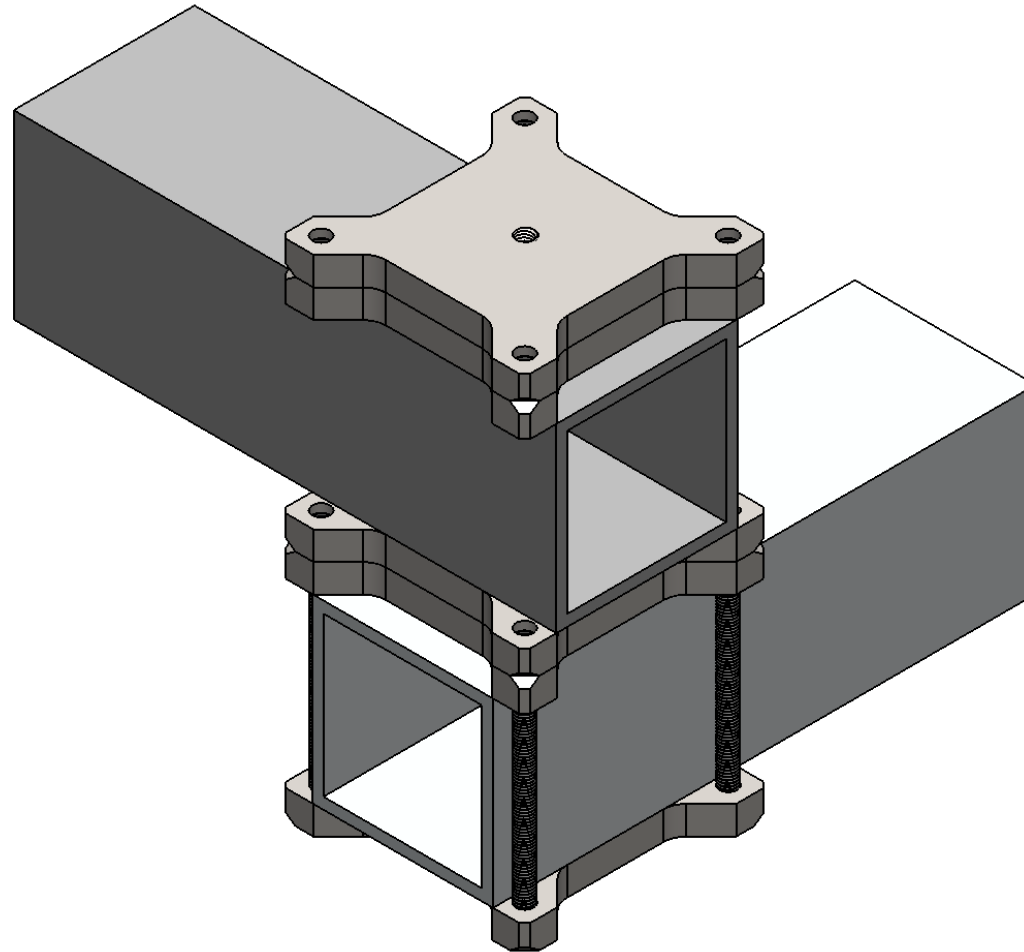
**LEAD TIMES** Products in this print, as the name implies, are custom designs and not inventory items. Lead times apply to all products in this print. To view Harcourt's standard off-the-shelf items please visit our website – [www.harcourt.co](http://www.harcourt.co)

<b>Title:</b>	<b>TRIPLE-BOX HBOX</b>
<b>Item Number:</b>	<b>HBOX-TB</b>
<b>Material:</b>	
<b>Finish:</b>	



**Step 7:**

Place the next beam in position, then the Sleeve Nut Plate sandwich adjacent as shown.



**PROPRIETARY AND CONFIDENTIAL**

The entire content of this print is the sole property of Harcourt Industrial, Inc (Harcourt). You may not possess, use, copy or disclose this print or any information in it, for any purpose, including without limitation to design, manufacture, or repair parts, or obtain FAA or other government approval to do so, without Harcourt's express written permission. Neither receipt nor possession of this document alone, from any source, constitutes such permission. Possession, use, copying or disclosure by anyone without Harcourt's express written permission is not authorized and may result in criminal and/or civil liability.

**LEAD TIMES** Products in this print, as the name implies, are custom designs and not inventory items. Lead times apply to all products in this print. To view Harcourt's standard off-the-shelf items please visit our website – [www.harcourt.co](http://www.harcourt.co)

Title: **TRIPLE-BOX HBOX**

Item Number: **HBOX-TB**

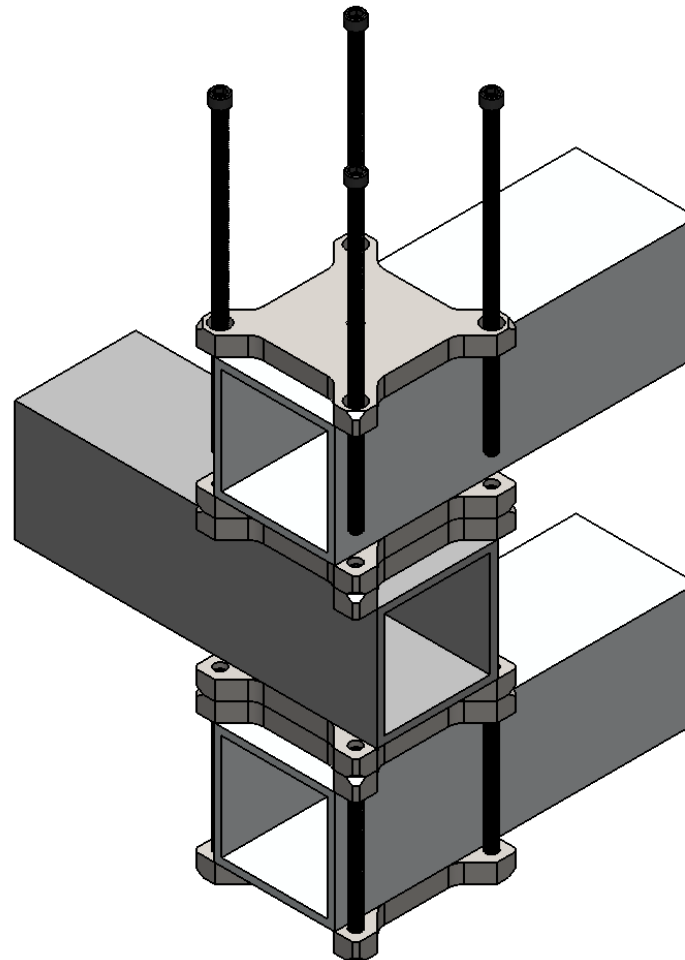
Material:

Finish:



**Step 8:**

Place the final beam and Plate in position and install the (4) long Socket-Head Cap Screws as shown.



**PROPRIETARY AND CONFIDENTIAL**

The entire content of this print is the sole property of Harcourt Industrial, Inc (Harcourt). You may not possess, use, copy or disclose this print or any information in it, for any purpose, including without limitation to design, manufacture, or repair parts, or obtain FAA or other government approval to do so, without Harcourt's express written permission. Neither receipt nor possession of this document alone, from any source, constitutes such permission. Possession, use, copying or disclosure by anyone without Harcourt's express written permission is not authorized and may result in criminal and/or civil liability.

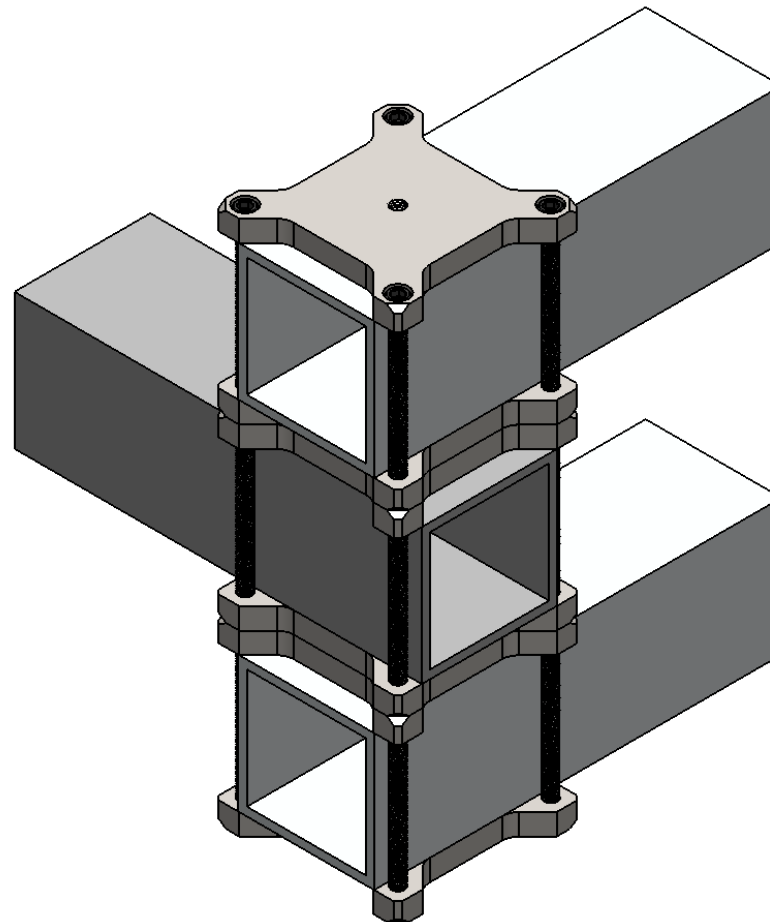
**LEAD TIMES** Products in this print, as the name implies, are custom designs and not inventory items. Lead times apply to all products in this print. To view Harcourt's standard off-the-shelf items please visit our website – [www.harcourt.co](http://www.harcourt.co)

<b>Title:</b>	<b>TRIPLE-BOX HBOX</b>
<b>Item Number:</b>	<b>HBOX-TB</b>
<b>Material:</b>	
<b>Finish:</b>	



**Step 9:**

Torque all (8) Cap Screws down to the specifications below.



HBOX SIZE	SHCS TORQUE (ft-lbs)	ALLEN KEY SIZE
3/8" HBOX	9	3/16
5/8" HBOX	38	5/16
1" HBOX	160	1/2



**PROPRIETARY AND CONFIDENTIAL**

The entire content of this print is the sole property of Harcourt Industrial, Inc (Harcourt). You may not possess, use, copy or disclose this print or any information in it, for any purpose, including without limitation to design, manufacture, or repair parts, or obtain FAA or other government approval to do so, without Harcourt's express written permission. Neither receipt nor possession of this document alone, from any source, constitutes such permission. Possession, use, copying or disclosure by anyone without Harcourt's express written permission is not authorized and may result in criminal and/or civil liability.

**LEAD TIMES** Products in this print, as the name implies, are custom designs and not inventory items. Lead times apply to all products in this print. To view Harcourt's standard off-the-shelf items please visit our website – [www.harcourt.co](http://www.harcourt.co)

Title: **TRIPLE-BOX HBOX**

Item Number: **HBOX-TB**

Material:

Finish:



**Step 7:**

Use a digital torque wrench to ensure that the bolts are set accurately to the published torque values. Once the correct torque has been reached use tamper/vibration detection paint to "stripe" the bolt heads. This paint becomes brittle when dry and cracks from any movement caused by tampering or vibration. Cracked paint should be inspected immediately and bolts should be retorqued and paint reapplied.



**PROPRIETARY AND CONFIDENTIAL**

The entire content of this print is the sole property of Harcourt Industrial, Inc (Harcourt). You may not possess, use, copy or disclose this print or any information in it, for any purpose, including without limitation to design, manufacture, or repair parts, or obtain FAA or other government approval to do so, without Harcourt's express written permission. Neither receipt nor possession of this document alone, from any source, constitutes such permission. Possession, use, copying or disclosure by anyone without Harcourt's express written permission is not authorized and may result in criminal and/or civil liability.

**LEAD TIMES** Products in this print, as the name implies, are custom designs and not inventory items. Lead times apply to all products in this print. To view Harcourt's standard off-the-shelf items please visit our website – [www.harcourt.co](http://www.harcourt.co)

Title:	<b>TRIPLE-BOX HBOX</b>
Item Number:	<b>HBOX-TB</b>
Material:	
Finish:	