

**PART NUMBER CALLOUT:**

**HFRAME-LC25-ST-136-53-75**

FRAME

LARGE RANGE

6x6 TUBE

TUBE WALL THICKNESS

18 = .12

25 = .25

50 = .50

STEEL FRAME OPTION

-AL FOR ALUMINUM

WIDTH IN INCHES

(41" SHOWN AS EXAMPLE)

LEG LENGTH IN INCHES

(23" SHOWN AS EXAMPLE)

HEIGHT IN INCHES

(62" SHOWN AS EXAMPLE)

FEATURE	MIN	MAX
HEIGHT	12"	144"
WIDTH	12"	262"
LEG LENGTH	30"	144"

© HARDCOURT INDUSTRIAL, INC. 2021 ALL RIGHTS RESERVED.

**MFG NOTES:**

- Break all sharp edges and corners - .02 MAX
- Unless otherwise specified - sheet tolerances apply
- Certs supplied with each part, where applicable (Heat Treat, Black Oxide, Material, etc)
- All dims with specified tolerances should be held in spec after any heat treat, coating or finish.
- When turning pins, keep centers to a minimum.

**METRIC Tolerances:**

Unless Otherwise Specified

One Place Decimal	± 0.762
Two Place Decimal	± 0.254
Three Place Decimal	± 0.127
Four Place Decimal	± 0.0127

**IMPERIAL Tolerances:**

Unless Otherwise Specified

Fractional	± 1/16
One Place Decimal	± .030
Two Place Decimal	± .010
Three Place Decimal	± .005
Four Place Decimal	± .0005
Angle	± 0.30°

Surfaces 3.2/√

	NAME	DATE
Drawn	ROB BEARDMORE	09/12/2022
Checked		
Sales Appr		
MFG Appr		
QC Appr		

**Title:**

HFRAME-LC

**Item Number:**

HFRAME-LC

**Material:**

NOTED

**Finish:**

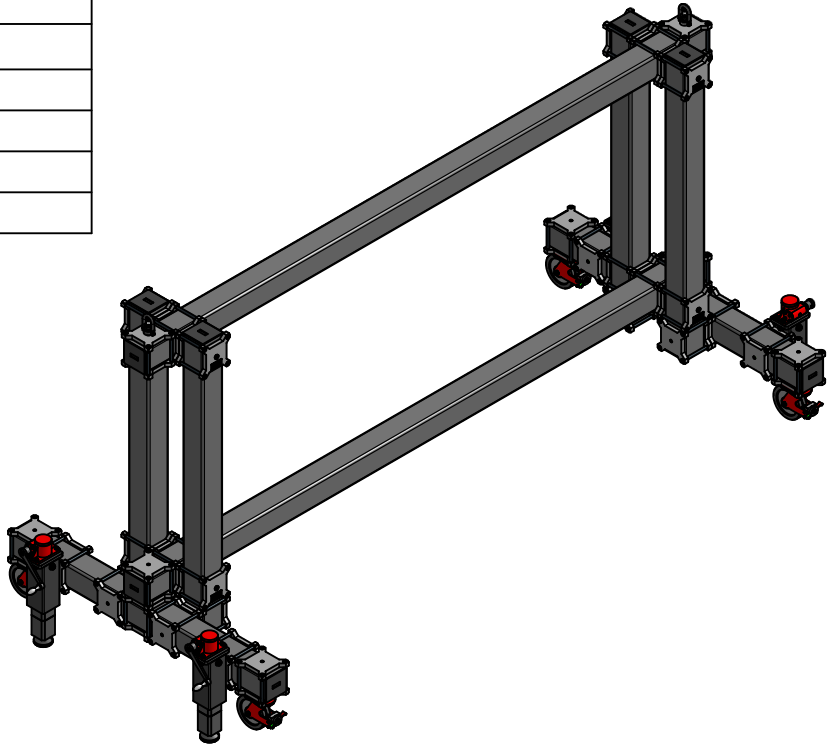
BLACK POWDER COATING



**PROPRIETARY AND CONFIDENTIAL**

The information in this drawing is the sole property of Harcourt Industrial, Inc. Any reproduction in part or as a whole without the written permission of Harcourt Industrial, Inc is strictly prohibited.

Item	Part number	Description	Quantity
1	HBOX1-0606-DB-6-6	HBOX DOUBLE BOX	6
2	HBOX1-0606-TB-6-6-6	HBOX TRIPLE BOX	4
3	HBOX1-0606-SB-6	HBOX SINGLE BOX	2
4	HTUBE-ST-PLBK-0606	ASTM A500/A513 SQUARE STEEL TUBE	2
5	HTUBE-ST-PLBK-0606	ASTM A500/A513 SQUARE STEEL TUBE	6
6	HRS-10-1	HOIST RINGS	2
7	HTAB-.2500-5811	THREADED LASER ADAPTER BUSHING	8
8	HIDTAG-10	COORDINATES TAG	8
9	HTUBEND-0606-.5	TUBE CAP	16
10	WH-082-EA-S-ERGO-B	ERGO SWIVEL CASTER	4
11	HBOXWHHD1-0606-6	HBOX ASEMBLY CASTER MOUNT	4
12	HJACK-S-4000 SERIES	JACK ASSEMBLY, 4000LBS CAP	2
13	HJACK-S-4000-LF	JACK ASSEMBLY, 4000LBS CAP, LEVELING FOOT	2
14	HFW-8	FLAT WASHER	16
15	SHCS-1213-20	SOCKET HEAD CAP SCREW	16



© HARCOURT INDUSTRIAL, INC. 2021 ALL RIGHTS RESERVED.

**MFG NOTES:**  
 - Break all sharp edges and corners - .02 MAX  
 - Unless otherwise specified - sheet tolerances apply  
 - Certs supplied with each part, where applicable (Heat Treat, Black Oxide, Material, etc)  
 - All dims with specified tolerances should be held in spec after any heat treat, coating or finish.  
 - When turning pins, keep centers to a minimum.

**METRIC Tolerances:**  
*Unless Otherwise Specified*

One Place Decimal	± 0.762
Two Place Decimal	± 0.254
Three Place Decimal	± 0.127
Four Place Decimal	± 0.0127

**IMPERIAL Tolerances:**  
*Unless Otherwise Specified*

Fractional	± 1/16
One Place Decimal	± .030
Two Place Decimal	± .010
Three Place Decimal	± .005
Four Place Decimal	± .0005
Angle	± 0.30°

**Surfaces** 3.2 ✓

	NAME	DATE
<b>Drawn</b>	ROB BEARDMORE	09/12/2022
<b>Checked</b>		
<b>Sales Appr</b>		
<b>MFG Appr</b>		
<b>QC Appr</b>		

<b>Title:</b>	HFRAME-LC
<b>Item Number:</b>	HFRAME-LC
<b>Material:</b>	NOTED
<b>Finish:</b>	BLACK POWDER COATING



**PROPRIETARY AND CONFIDENTIAL**  
 The information in this drawing is the sole property of Harcourt Industrial, Inc. Any reproduction in part or as a whole without the written permission of Harcourt Industrial, Inc is strictly prohibited.